

# CombiFlex

## Compact vertical centrifugal pump



### System characteristics

The CombiFlex is a part of the CombiSystem, a family of different pump types having a high interchangeability in parts. The hydraulic field complies with EN 733 (DIN 24255).

The CombiFlex is a pump type in a compact design, suitable for floor as well as centre of gravity support, with many construction variants, e.g. spacer coupling (K1 & K3) (Top-Pull-Out); standard coupling (K2 & K4) (space save design). Other variants are possible by using CombiChem or CombiNorm shaft sealing and bearing modules.

### Applications

The CombiFlex is suitable for handling low viscosity, clean or slightly contaminated liquids, for instance aboard ships, potable water systems and industrial buildings.

### Pump specifics

- Many installation options: with supports on the floor, in the floor (on ship decks for example) and partition or centre of gravity support
- 8 different angles between the discharge and suction nozzle's horizontal plane
- Compact and modular design
- Standard execution with a mechanical seal according to EN 12756 (DIN24960)
- Design with a spacer coupling (K1 & K3), Top-Pull-Out, resulting in simple mounting and disassembly
- The space-saving design (K2 & K4) is eminently suited for confined areas (e.g. on board ships)
- CombiChem or CombiNorm bearing bracket allows flexible choice in bearings and shaft seal modules

### Technical data

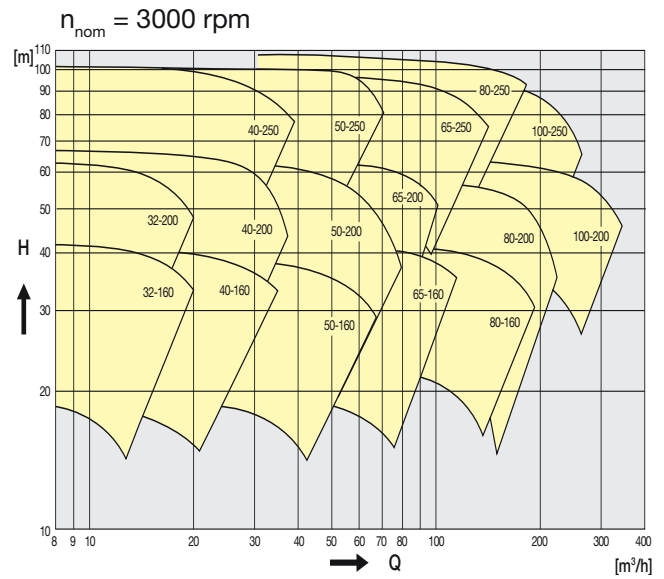
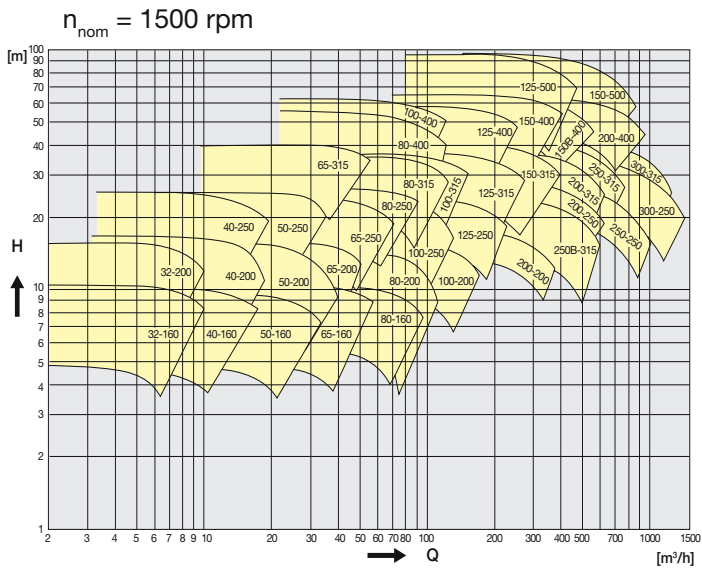
Maximum capacity:	1500 m <sup>3</sup> /h
Maximum delivery head:	140 m
Maximum liquid temperature:	110 °C
Maximum speed:	3600 rpm
Maximum operating pressure:	10 bar

### Materials

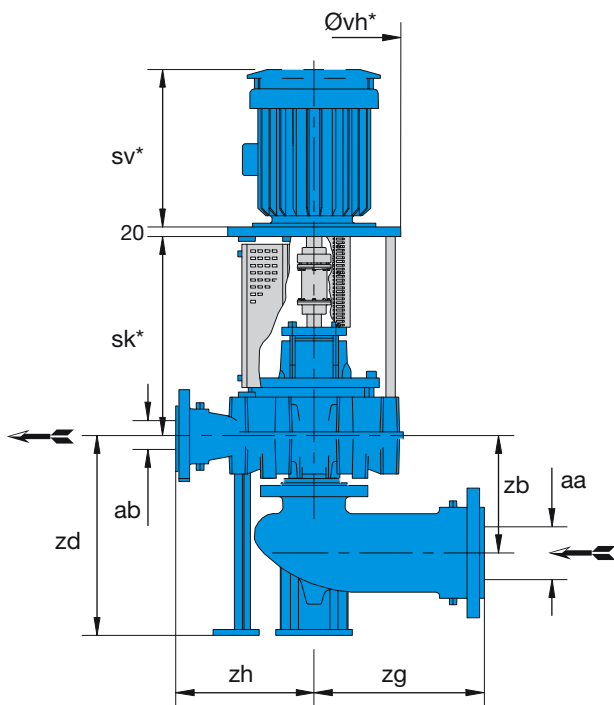
Pump casing	Cast iron	Bronze	
Stuffingbox cover	Cast iron	Bronze	
Impeller	Cast iron	Bronze	Alu-bronze
Pump shaft	Stainless steel		
Shaft sleeve	Bronze		
Suction bend	Cast iron	Bronze	

*Other materials upon request*

# Performance data



# Dimensions



Drawing showing CombiFlex version K1 (spacer coupling) with suction bend

CombiFlex	aa	ab	zb	zd	zg	zh	sk*	
							K1**	K2***
32-160	65	32	167	330	220	250	340-355	235-290
32-200	80	32	177	350	220	280	340-355	235-310
40-160	80	40	177	330	220	250	340-385	235-310
40-200	80	40	192	350	220	280	340-385	235-310
40-250	100	40	202	370	250	315	340-385	235-310
50-160	80	50	192	345	220	250	340-385	225-300
50-200	100	50	202	350	220	280	340-385	235-310
50-250	100	50	202	370	240	315	340-385	235-310
65-160	125	65	242	375	240	250	340-385	225-320
65-200	125	65	222	375	240	280	340-385	225-320
65-250	125	65	242	370	240	315	440-520	295-355
65-315	125	65	242	455	240	315	440-490	300-370
80-160	150	80	232	390	350	250	340-390	245-320
80-200	150	80	252	400	350	280	440-520	305-385
80-250	150	80	252	400	350	315	440-520	295-400
80-315	150	80	252	455	350	315	440-490	310-370
80-400	150	80	252	425	350	405	525-585	390-455
100-200	150	100	232	415	350	280	440-520	305-385
100-250	150	100	252	420	350	315	440-520	305-385
100-315	150	100	252	475	350	315	440-520	310-415
100-400	150	100	252	425	350	375	525-585	390-455
125-250	150	125	267	440	280	355	440-490	305-365
125-315	150	125	277	495	280	355	530-585	390-455
125-400	150	125	277	425	280	400	525-585	390-455
150-315	200	150	342	520	350	400	530-585	390-455
150-400	200	150	342	520	350	450	555-585	425-455
200-200	150	200	387	485	280	400	460-490	335-355
250B-315	200	250	387	550	350	500	560-585	420-455

CombiFlex	aa	ab	zb	zd	zg	zh	sk*	
							K3**	K4***
125-500	200	125	337	600	350	500	770-870	575-675
150B-400	250	150	337	700	600	500	780-840	585-645
150-500	250	150	357	700	600	550	775-875	580-680
200-250	200	200	342	750	350	425	785-815	590-620
200-315	250	200	357	750	600	450	785-845	590-650
200-400	300	200	397	750	700	550	835-895	590-650
250-250	300	250	407	750	700	550	855-915	610-670
250-315	300	250	437	750	700	500	840-900	595-655
300-250	300	300	387	750	700	550	860-920	615-675
300-315	300	300	387	750	700	550	890-920	645-675

\* sk, sv and Øvh dependent on motor-frame size

\*\* K1 & K3 spacer coupling

\*\*\* K2 & K4 standard coupling



Johnson Pump Water B.V.

